



Technical Features

# F-LINE Tractor Series



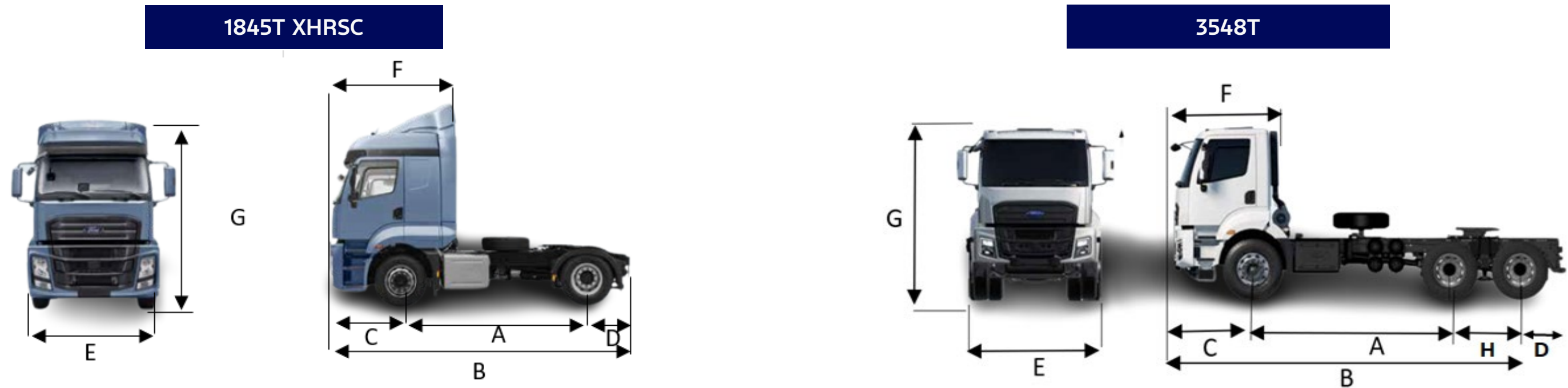
Sharing the load

Technical Features	1845T		3548T		
	Low Roof Sleeper Cab	Extra High Roof Sleeper Cab	Day Cab	Low Roof Sleeper Cab	High Roof Sleeper Cab
Engine	GEN1.5 Ecotorq Euro 6 130 mm x 160 mm		GEN1.5 Ecotorq Euro 6 130 mm x 160 mm		
Type	GEN1.5 Ecotorq Euro 6 130 mm x 160 mm	GEN1.5 Ecotorq Euro 6 130 mm x 160 mm	GEN1.5 Ecotorq Euro 6 130 mm x 160 mm	GEN1.5 Ecotorq Euro 6 130 mm x 160 mm	GEN1.5 Ecotorq Euro 6 130 mm x 160 mm
Displacement (cc)	12.740 cm <sup>3</sup>	12.740 cm <sup>3</sup>	12.740 cm <sup>3</sup>	12.740 cm <sup>3</sup>	12.740 cm <sup>3</sup>
Power PS (kW)	450 PS (330 kW ) / 1800 RPM	450 PS (330 kW ) / 1800 RPM	480 PS (353 kW ) / 1800 rpm	480 PS (353 kW ) / 1800 rpm	480 PS (353 kW ) / 1800 rpm
Torque	2300 Nm / 900-1300 RPM	2300 Nm / 900-1300 RPM	2500 Nm / 1000-1200 rpm	2500 Nm / 1000-1200 rpm	2500 Nm / 1000-1200 rpm
<b>Powertrain</b>					
Clutch	430 mm Single Disc	430 mm Single Disc	2 x 400 mm Twin Clutch	2 x 400 mm Twin Clutch	2 x 400 mm Twin Clutch
Transmission / Ratios	Automated: Ecotorq 16S 2600 DD AMT (17,03 - 1,00)	Automated: Ecotorq 16S 2600 DD AMT (17,03 - 1,00)	Manual: ZF 16S 2530 (13,805-0,836)	Manual: ZF 16S 2530 (13,805-0,836)	Manual: ZF 16S 2530 (13,805-0,836)
Forward and Reverse Gear	16 forward + 4 reverse	16 forward + 4 reverse	16 forward + 2 reverse	16 forward + 2 reverse	16 forward + 2 reverse
FDR	2,64	2,64	4,87	4,87	4,87
<b>Axle &amp; Suspension</b>					
Axle Configuration	4x2	4x2	6x4	6x4	6x4
Front Axle	7,5 T	7,5 T	8 T	8 T	8 T
Rear Axle	XSS - 510, 13.5 T	XSS - 510, 13.5 T	XPT - 330, 16 T	XPT - 330, 16 T	XPT - 330, 16 T
Suspension	Parabolic Front Leaf Spring/ 4 Bellow Rear Air Suspension	Parabolic Front Leaf Spring/ 4 Bellow Rear Air Suspension	Parabolic Front Leaf Spring/ Mechanical Rear Suspension	Parabolic Front Leaf Spring/ Mechanical Rear Suspension	Parabolic Front Leaf Spring/ Mechanical Rear Suspension
<b>Brakes</b>					
Brake System	Dual Brake Circuit - Air Processing Unit with Integrated Oil Seperator and Heater	Dual Brake Circuit - Air Processing Unit with Integrated Oil Seperator and Heater	Dual Brake Circuit - Air Processing Unit with Integrated Oil Seperator and Heater	Dual Brake Circuit - Air Processing Unit with Integrated Oil Seperator and Heater	Dual Brake Circuit - Air Processing Unit with Integrated Oil Seperator and Heater
Service Brake	Front and Rear Disc Brakes	Front and Rear Disc Brakes	Front and Rear Drum Brakes	Front and Rear Drum Brakes	Front and Rear Drum Brakes
Brakes (Front/Rear) (Ø.mm x mm. Length)	430 x 45 - Disc Brakes	430 x 45 - Disc Brakes	410 X 200, Z-Cam Drum Brake	410 X 200, Z-Cam Drum Brake	410 X 200, Z-Cam Drum Brake
Engine Brake Power	max. 320 kW (Engine Level)	max. 320 kW (Engine Level)	max. 320 kW (Engine Level)	max. 320 kW (Engine Level)	max. 320 kW (Engine Level)
Hydraulic Retarder	max. 450 kW / continuous 160 kW	max. 450 kW / continuous 160 kW	max. 450 kW / continuous 160kW	max. 450 kW / continuous 160kW	max. 450 kW / continuous 160kW
<b>Fuel &amp; AdBlue Tank</b>					
Fuel Tank	600L, Right Hand Side, Aluminum	600L, Right Hand Side, Aluminum	400L, Right Hand Side, Aluminum	400L, Right Hand Side, Aluminum	400L, Right Hand Side, Aluminum
SCR Tank	78 l	78 l	55 l	55 l	55 l
<b>Chassis</b>					
Thickness and Material	U Profile, High Strength, 10 mm Thickness, S500 MC Material	U Profile, High Strength, 10 mm Thickness, S500 MC Material	U Profile, High Strength, 10 mm Thickness, S500 MC Material	U Profile, High Strength, 10 mm Thickness, S500 MC Material	U Profile, High Strength, 10 mm Thickness, S500 MC Material
<b>5th Wheel</b>					
Brand / Model / Height	SAF Holland / SK-S 36.20 / 185 mm / 1200 mm	SAF Holland / SK-S 36.20 / 185 mm / 1200 mm	JOST / JSK38MC / 190 mm / 1400 mm	JOST / JSK38MC / 190 mm / 1400 mm	JOST / JSK38MC / 190 mm / 1400 mm
Mounting Plate Height	40 mm	40 mm	40 mm	40 mm	40 mm
<b>Tires</b>					
Front Axle	295/80 R 22.5	295/80 R 22.5	315/80 R 22.5	315/80 R 22.5	315/80 R 22.5
Rear Axle	295/80 R 22.5	295/80 R 22.5	315/80 R 22.5	315/80 R 22.5	315/80 R 22.5
Rims	22.5X9.0 Steel	22.5X9.0 Steel	22.5X9.0 Steel	22.5X9.0 Steel	22.5X9.0 Steel

Standard and Optional Features	1845T		3548T		
	Low Roof Sleeper Cab	Extra High Roof Sleeper Cab	Day Cab	Low Roof Sleeper Cab	High Roof Sleeper Cab
<b>Safety &amp; Technology</b>					
Pre-Collision Assist	●	●	-	-	-
Lane Keeping Alert (LDWS)	●	●	●	●	●
Electronic Stability Program (ESP)	●	●	●	●	●
Driver Alert System	●	●	●	●	●
Moving-off Information System (MOIS)	●	●	●	●	●
Rear View Camera	●	●	●	●	●
Blind Spot Information System (BLIS)	●	●	●	●	●
Alcohol Interlock Facilitation	●	●	●	●	●
Traffic Sign Recognition	●	●	●	●	●
Emergency Stop Signal	●	●	●	●	●
Tire Pressure Monitoring System (TPMS)	●	●	●	●	●
Auto High Beam Headlamps	○	○	-	-	-
Pre-Collision Assist with Pedestrian Detection	○	○	-	-	-
Intelligent Adaptive Cruise Control with Stop & Go (iACC)	○	○	-	-	-
Electronic Brake System with ABS & ATC (EBS)	●	●	●	●	●
Electronic Brake System with ABS & ATC (EBS)	●	●	●	●	●
Retarder	○	○	○	○	○
Adaptive Cruise Control (ACC) (only with optional tech package)	○	○	-	-	-
Predictive Cruise Control (PCC)	●	●	-	-	-
Diferential Lock	●	●	●	●	●
<b>Interior</b>					
Multimedia System with 9" Touch Screen (DAB Radio, Bluetooth, USB (A Type - C Type), Apple CarPlay, Android Auto, Remote Control)	●	●	●	●	●
Navigation	○	○	○	○	○
Improved Sound and Heat Insulation	●	●	●	●	●
Air Conditioning	●	●	●	●	●
Dry & Wet Type Cab Heater	○	○	-	-	-
Wet Type Cab Heater	-	-	○	○	○
Dry Type Cab Heater	●	●	-	●	●
Manual Sunroof	●	-	○	●	●
Electric Sunroof	-	●	-	-	-
Dual Passanger Seat	-	-	○	-	-
Driver Seat Armrests	●	●	○	●	●
Heated and Air Suspension Driver Seat	●	●	●	●	●
Exterior Sunvisor	●	●	-	-	-
Axle Load Measurement Device	●	●	●	●	●
Driver Seatbelt Warning System	●	●	●	●	●
Double Bed and Upper Storage Area	-	●	-	○	○
Single Bed (Without Upper Storage Areas)	●	○	-	●	●
Side Window Dimmings	●	●	●	●	●
Black Alcantara Seat Fabric	●	●	●	●	●
Multi-Function Remote Control Key, 2 pieces	●	●	●	●	●

Standard and Optional Features	1845T		3548T		
	Low Roof Sleeper Cab	Extra High Roof Sleeper Cab	Day Cab	Low Roof Sleeper Cab	High Roof Sleeper Cab
Heated and Electrically Controlled Side Mirrors	●	●	●	●	●
Spoiler & Side Extender	-	●	-	-	○
Side Skirt	○	○	-	-	-
Aluminum Rims (Ford)	○	○	-	-	-
Aluminum Rims (Alcoa)	○	○	-	-	-
Multileaf Spring Rear Mechanical Suspension	○	○	-	-	-
XSS - 470 Rear Axle	○	○	-	-	-
8T Front Axle Capacity	○	○	●	●	●
19T GVM	○	○	-	-	-
510L Aluminum Fuel Tank (Right Side)	-	-	○	○	○
510L (Right Side) + 410L Aluminum Fuel Tank (Left Side)	○	○	-	-	-
600L (Right Side) + 450L Aluminum Fuel Tank (Left Side)	○	○	-	-	-
No Grease 5th Wheel (1100 mm & 1200 mm)	○	○	-	-	-
JOST 5th Wheel	○	○	●	●	●
Hydraulic Cab Tilting	●	●	●	●	●
Electrically Operated Cab Tilting	○	○	○	○	○
Engine PTO (requires retarder for 1845T)	○	○	○	○	○
NH1B Transmission PTO	○	○	●	●	●
NH1C Transmission PTO	○	○	○	○	○
NH4B Transmission PTO	-	-	○	○	○
FL, EX/II, OX & AT classification ADR Package	○	○	○	○	○
Without Front Spare Tire	○	○	○	○	○
Front Spare Tire / Rim	●	●	●	●	●
LED Headlamps	○	○	○	○	○
Halogen Headlamps	●	●	●	●	●
Rain Sensor & Autolamps	○	○	-	-	-
225 Ah Battery	●	●	●	●	●
Adjustable Air Compressor	●	●	●	●	●
Smart Tachograph	●	●	●	●	●
Cabin With Air Suspension	○	○	-	-	-
Black Front Grill	●	●	●	●	●
Short Bumper	-	-	●	●	●
Long Bumper	●	●	-	-	-
Eco+Mode	●	●	-	-	-
Cold Pack	○	○	○	○	○
Front Towing Hooks	○	○	●	●	●

● Standard ○ Optional



Dimensions (mm)	1845T		3548T		
	Low Roof Sleeper Cab	Extra High Roof Sleeper Cab	Day Cab	Low Roof Sleeper Cab	High Roof Sleeper Cab
Wheelbase (A)	3600	3600	3800	3800	3800
Overall Length (B)	5973	5973	7495	7495	7495
Front Overhang (C)	1500	1500	1450	1450	1450
Rear Overhang (D)	873	873	895	895	895
Distance Between 1st and 2nd Wheel Centers (A)	3600	3600	3800	3800	3800
Distance Between 2nd and 3th Wheel Centers (H)	-	-	1350	1350	1350
Overall Vehicle Width (Excluding Mirrors) (E)	2540	2540	2540	2540	2540
Overall Cab Length (F)	2310	2310	1777	2260	2260
Total Vehicle Height (G)	3064	3935	3114	3114	3372
Turning Radius	7560	7560	9700	9700	9700

Tire & FDR	5th Wheel Height	FDR	Rear Tire	Loaded 5th Wheel Height (10 mm Tolerance)	Unloaded 5th Wheel Height (10 mm Tolerance)
1845T	980 mm	2,31 & 2,47	295/60 R22.5	976 mm	999 mm
	1100 mm	2,47 & 2,64	315/70 R22.5	1120 mm	1147 mm
	1150 mm	2,64	295/80 R22,5	1161 mm	1194 mm
	1200 mm	2,64	295/80 R22,5	1161 mm	1225 mm
	1200 mm	2,64	315/80 R22,5	1221 mm	1245 mm
	1250 mm	2,64 & 3,57	315/80 R22,5	1286 mm	1310 mm
	1250 mm	2,64	295/80 R22,5	1264 mm	1290 mm
3548T	Less	4,08	315/80 R22,5		
	1350 mm	4,08 & 4,87	315/80 R22,5		
	1400 mm	4,08 & 4,87	315/80 R22,5		
	1450 mm	4,08 & 4,87	315/80 R22,5		

Weights (kg)		1st Axle	2nd Axle	3rd Axle	Total
1845T (Low Roof Sleeper Cab)	Technically Permissible Weight	7500	12600	-	18000
	Kerb Weight	5522	2395	-	7917
	Payload	1978	10205	-	10083
	Regulatory Permissible Weight	7500	11500	-	18000
1845T (Extra High Roof Sleeper Cab)	Technically Permissible Weight	7500	12600	-	18000
	Kerb Weight	5568	2538	-	8106
	Payload	1932	10062	-	9894
	Regulatory Permissible Weight	7500	11500	-	18000
3548T (Day Cab)	Technically Permissible Weight	8000	13400	13400	32000
	Kerb Weight	5740	2786	2550	11076
	Payload	2260	10614	10850	20924
	Regulatory Permissible Weight	8000	9500	9500	25000
3548T (Low Roof Sleeper Cab)	Technically Permissible Weight	8000	13400	13400	32000
	Kerb Weight	5808	2819	2580	11207
	Payload	2192	10581	10820	20793
	Regulatory Permissible Weight	8000	9500	9500	25000
3548T (High Roof Sleeper Cab)	Technically Permissible Weight	8000	13400	13400	32000
	Kerb Weight	5796	2843	2620	11259
	Payload	2204	10557	10780	20741
	Regulatory Permissible Weight	8000	9500	9500	25000

This leaflet includes products designed for Ford vehicles. It provides information about the current technical specifications and the standard or optional accessories available as of the date it was issued. Features of standard and optional accessories of the vehicles may be changed from time to time. For this reason, please consult our Authorized Dealers to obtain updated and accurate information on the features of the vehicle you wish to buy. For the aforementioned reason, this leaflet does not constitute an assurance as to the specifications listed herein. The images used in this leaflet may be different from the vehicles on sale. The technical specifications provided herein are for standard vehicles. Selection of any optional accessories might cause differences from these specifications.

