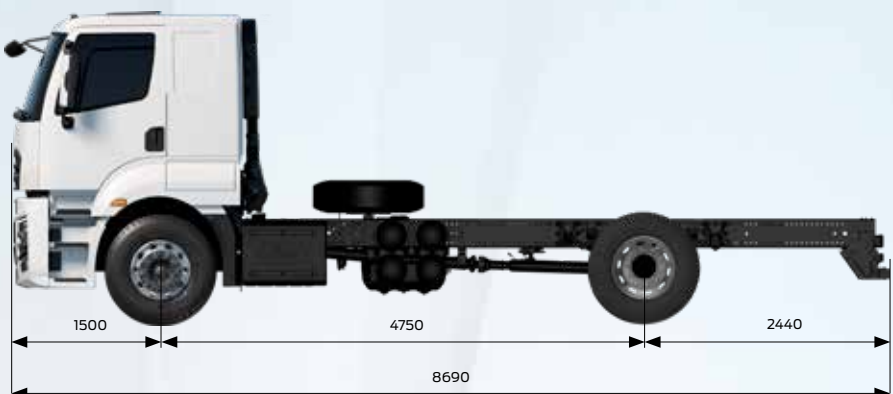
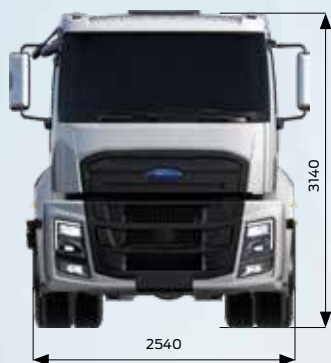


# FORD TRUCKS 1833 LR EURO6



## Basic Features

|                |                  |
|----------------|------------------|
| Vehicle Type   | Light Road Truck |
| Axle           | 4x2              |
| Emission       | Euro 6           |
| Cabin Type     | Sleeper Cab      |
| Wheelbase (mm) | 4750             |

## Engine

|                    |                                   |
|--------------------|-----------------------------------|
| Type               | Ecotorq 9 liters                  |
| Displacement (cc)  | 8974                              |
| Diameter x Stroke  | 115 mm x 144 mm                   |
| Power              | 330 PS (243 kW) @ 1655 - 2200 rpm |
| Torque             | 1400 Nm @ 1200-1650 rpm           |
| Compression Ratio  | 17,6 : 1                          |
| Oil Filling Volume | 30 L                              |
| Coolant Volume     | 46 L                              |

## Transmission

|   |                         |
|---|-------------------------|
| Clutch  | 430 mm Single Disc      |
| Manuel Transmission / Ratios (1. gear - 9. gear)  | 9+1 Speed (9,40 - 0,75) |
| Automated Transmission / Ratios (1.gear - 9 gear) | 9+1 Speed (9,48 - 0,75) |

## Steering

Power assisted single circuit

## Chassis

|                         |   |
|-------------------------|---|
| Chassis Thickness       | 7 mm                                      |
| Chassis Strength        | 355 MPa                                   |
| Suspension (Front/Rear) | Parabolic Leaf Spring / Multi-Leaf Spring |
| Axle                    | Standard Single Reduction                 |
| Axle Ratio              | 4,375                                     |
| Tyres                   | 315/80 R22,5                              |
| Wheel Rim               | 22,5 x 9 Steel                            |

## Braking System

|   |  |
|---|--|
| Brakes (Front/Rear) (Ø.mm x mm. Length) | 430 x 45 - Disc Brake  |
| Braking System                          | Dual Brake Circuit, Air Processing Unit With Integrated Oil Seperator and Heater |
| Engine Brake Power                      | max 220 kW (Engine Level)  |

## Electrical System

|                            |                |
|----------------------------|----------------|
| Battery                    | 225 Ah         |
| Alternator / Starter Motor | 130 A / 6,5 kW |

## Tanks

|           |                 |
|-----------|-----------------|
| Fuel Tank | 350 L Aluminium |
| SCR Tank  | 55 L            |



Sharing the load

| Dimensions (mm)                           |  |         |         |       |
|---|--|---------|---------|-------|
| Front Overhang                            |  | 1500    |         |       |
| Wheelbase                                 |  | 4750    |         |       |
| Overall Length                            |  | 8690    |         |       |
| Overall Cab Length                        |  | 2305    |         |       |
| Overall Vehicle Height                    |  | 3140    |         |       |
| Overall Vehicle Width (Excluding Mirrors) |  | 2540    |         |       |
| Chassis Width                             |  | 866     |         |       |
| Rear Overhang                             |  | 2440    |         |       |
| Useful Chassis Length                     |  | 5937    |         |       |
| Chassis Height - Front                    |  | 1073    |         |       |
| Chassis Height - Rear                     |  | 1093    |         |       |
| Ground Clearance Front                    |  | 308     |         |       |
| Ground Clearance Rear                     |  | 252     |         |       |
| Turning Radius                            |  | 9550    |         |       |
| Weights (kg)                              |  | 1. Axle | 2. Axle | Total |
| Technically Permissible Weights           |  | 7100    | 12600   | 19000 |
| Kerb Weight                               |  | 4639    | 2564    | 7203  |
| Payload                                   |  | 2461    | 10036   | 11797 |
| Gross Vehicle Mass (Legal)                |  | 7100    | 11500   | 18000 |

### STANDARD EQUIPMENT

- Air Conditioner
- Multimedia System with 9" Touch Screen & (Radio, Bluetooth, USB (A Type - C Type), Apple CarPlay, Android Auto, Remote Control)
- Auxiliary Cabin Heater (Dry Type)
- Cruise Control
- Disc Brake
- Engine Brake
- Electronic Brake System (EBS) and Anti-Lock Brake System (ABS)
- Electronic Stability Control (ESP)
- Hill Launch Assist
- Differential Lock
- Electrically Operated Windows
- Electrically Operated and Heated Side Mirrors
- Electrically Operated Headlight Leveling
- Rake and Reach Adjustable Steering Column
- Heated and Air Suspended Driver Seat
- Lumbar Support
- Manually Operated Sunroof
- Brake Lining Wear Sensor
- Immobilizer
- Home Safe Light
- Approach Light
- Front Fog Lamps
- Digital Tachograph
- Spare Wheel
- DAB Radio\*\*
- Advanced Driver-Assistance Systems (Cybersecurity Improvements, Rear View Camera, Moving-off Information System, Blind Spot Information System, Tire Pressure Monitoring System, Emergency Stop Signal, Alcohol Interlock Facilitation, Traffic Sign Recognition, Driver Alert System, Lane Keeping Alert, Pre-Collision Assist )

### OPTIONAL EQUIPMENT

- Firefighter Pack
- Transmission Driven PTO Options & Interior Control Unit
- Engine Driven PTO & Interior Control Unit \*
- ADR
- Cold Climate Pack
- Auxiliary Cabin Heater (Wet Type)
- Power Cab Tilting
- Metallic Paint/Special Colors
- 4250 mm Wheelbase Option
- Rear Air Suspension Package - with 5500 mm Wheelbase Option, Axle Load Indicator, 315/60 Wheel, 4,11 FDR
- 8T Front Axle Technical Capacity (except 5500 WB)
- Rain Sensor
- Auto Light Sensor
- Automated Transmission
- Less Spare Tire
- Technology Pack (Auto High-Beam Headlamps & Pre-Collision Assist with Pedestrian Detection)
- Led Headlamps
- Navigation

\* Available for residual Pack only.

\*\* DAB Radio can be standard or optional according to the market.

This leaflet includes products designed for Ford vehicles. It provides information about the current technical specifications and the standard or optional accessories available as of the date it was issued. Features of standard and optional accessories of the vehicles may be changed from time to time. For this reason, please consult our Authorized Dealers to obtain updated and accurate information on the features of the vehicle you wish to buy. For the aforementioned reason, this leaflet does not constitute an assurance as to the specifications listed herein. The images used in this leaflet may be different from the vehicles on sale. The technical specifications provided herein are for standard vehicles. Selection of any optional accessories might cause differences from these specifications.