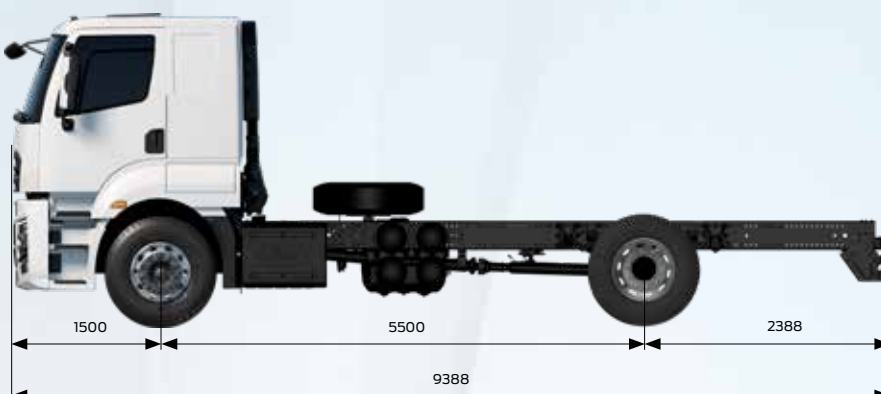
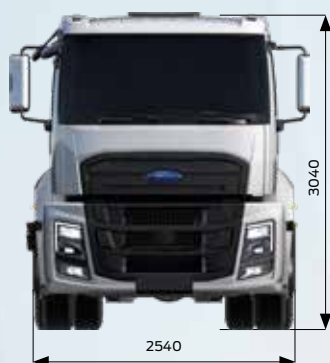


# FORD TRUCKS 1833 LR LOWLINER EURO6



## Basic Features

Vehicle Type	Light Road Truck
Axle	4x2
Emission	Euro 6
Cabin Type	Low Roof Sleeper Cab
Wheelbase (mm)	5500

## Engine

Type	Ecotorq 9 liters
Displacement (cc)	8974
Diameter x Stroke	115 mm x 144 mm
Power	330 PS (243 kW) @ 1655 - 2200 rpm
Torque	1400 Nm @ 1200-1650 rpm
Compression Ratio	17,6 : 1
Oil Filling Volume	30 L
Coolant Volume	46 L

## Transmission

Clutch	430 mm Single Disc
Manuel Transmission / Ratios (1. gear - 9. gear)	9+1 Speed (9,40 - 0,75)
Automated Transmission / Ratios (1.gear - 9 gear)	9+1 Speed (9,48 - 0,75)

## Steering

Power assisted single circuit

## Chassis

Chassis Thickness	7 mm
Chassis Strength	355 MPa
Suspension (Front / Rear)	Parabolic Leaf Spring / Air Suspension
Axle	Standard Single Reduction
Axle Ratio	3,7
Tyres	315/60 R 22,5
Wheel Rim	22,5 x 9 Steel

## Braking System

Brakes (Front / Rear) (Ø.mm x mm. Length)	430 x 45 - Disc Brake
Braking System	Dual Brake Circuit, Air Processing Unit With Integrated Oil Separator and Heater
Engine Brake Power	max. 220 kW (Engine Level)

## Electrical System

Battery	225 Ah
Alternator / Starter Motor	130 A / 6,5 kW

## Tanks

Fuel Tank	480 L Aluminium
SCR Tank	55 L



Sharing the load

<b>Dimensions (mm)</b>				
Front Overhang		1500		
Wheelbase		5500		
Overall Length		9388		
Overall Cab Length		2305		
Overall Vehicle Height		3040		
Overall Vehicle Width (Excluding Mirrors)		2540		
Chassis Width		866		
Rear Overhang		2388		
Useful Chassis Length		6680		
Chassis Height - Front		1030		
Chassis Height - Rear		970		
Ground Clearance - Front		356		
Ground Clearance - Rear		352		
Turning Radius		8400		
<b>Weights (kg)</b>		1. Axle	2. Axle	Total
Technically Permissible Weights		7100	12600	19000
Kerb Weight		4627	2581	7208
Payload		2473	10019	11792
Gross Vehicle Mass (Legal)		7100	11500	18000

### STANDARD EQUIPMENT

- Air Conditioner
- Multimedia System with 9" Touch Screen (Radio, Bluetooth, USB (A Type - C Type), Apple CarPlay, Android Auto, Remote Control)
- Auxiliary Cabin Heater (Dry Type)
- Cruise Control
- Disc Brake
- Engine Brake
- Electronic Brake System (EBS) and Anti-Lock Brake System (ABS)
- Electronic Stability Control (ESP)
- Hill Launch Assist
- Differential Lock
- Electrically Operated Windows
- Electrically Operated and Heated Side Mirrors
- Electrically Operated Headlight Leveling
- Rake and Reach Adjustable Steering Column
- Heated and Air Suspended Driver Seat
- Lumbar Support
- Manually Operated Sunroof
- Brake Lining Wear Sensor
- Immobilizer
- Home Safe Light
- Approach Light
- Front Fog Lamps
- Digital Tachograph
- Spare Wheel
- Rear Air Suspension
- Axle Load Indicator
- DAB Radio\*
- Advanced Driver-Assistance Systems (Cybersecurity Improvements, Rear View Camera, Moving-off Information System, Blind Spot Information System, Tire Pressure Monitoring System, Emergency Stop Signal, Alcohol Interlock Facilitation, Traffic Sign Recognition, Driver Alert System, Lane Keeping Alert, Pre-Collision Assist)

### OPTIONAL EQUIPMENT

- Transmission Driven PTO Options & Interior Control Unit
- ADR Pack
- Cold Climate Pack
- Auxiliary Cabin Heater (Wet Type)
- Power Cab Tilting
- Metallic Paint/Special Colors
- Rain Sensor
- Auto Light Sensor
- Automated Transmission
- Less Spare Tire
- 315/70 R22.5 (with 4,11 FDR) and 315/80 R22.5 Tyres
- Technology Pack (Auto High-Beam Headlamps & Pre-Collision Assist with Pedestrian Detection)
- Engine Driven PTO Options & Interior Control Unit
- Led Headlamps
- Navigation

\*DAB Radio can be standard or optional according to the market.

This leaflet includes products designed for Ford vehicles. It provides information about the current technical specifications and the standard or optional accessories available as of the date it was issued. Features of standard and optional accessories of the vehicles may be changed from time to time. For this reason, please consult our Authorized Dealers to obtain updated and accurate information on the features of the vehicle you wish to buy. For the aforementioned reason, this leaflet does not constitute an assurance as to the specifications listed herein. The images used in this leaflet may be different from the vehicles on sale. The technical specifications provided herein are for standard vehicles. Selection of any optional accessories might cause differences from these specifications.