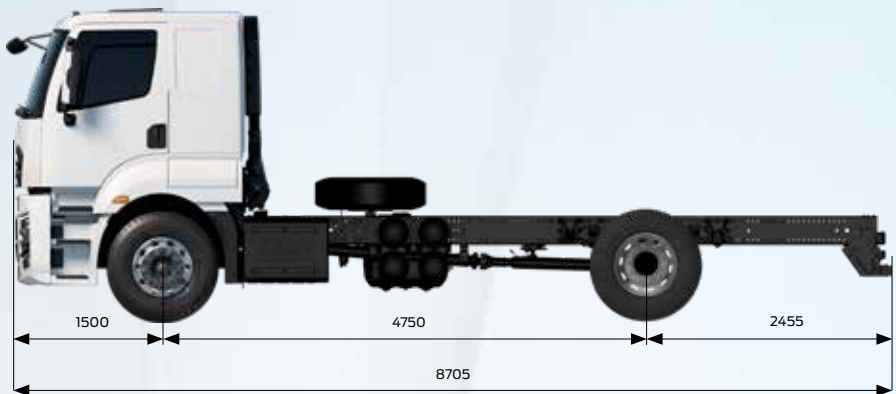
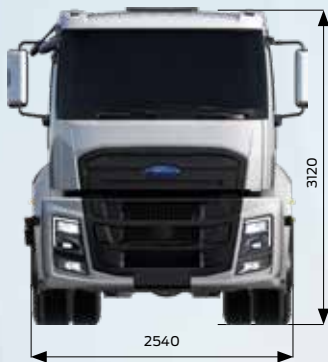


FORD TRUCKS 1842 LRSC EURO6



Basic Features

Vehicle Type	Road Truck
Axle	4x2
Emission	Euro 6
Cabin Type	Low Roof Sleeper Cab
Wheelbase (mm)	4750

Engine

Type	Ecotorq 12.7 L
Displacement [cc]	12740
Diameter x Stroke	130 mm x 160 mm
Power	420 PS (308,9 kW) / 1800 rpm
Torque	2150 Nm / 1000-1300rpm
Compression Ratio	17 +/- 0,5 : 1
Oil Filling Volume [l]	50 L
Coolant volume [l]	without Retarder 57 L ; with Retarder 77 L

Transmission

Clutch	430mm Single Disc
Automated Transmission	Ecotorq 16S 2600 DD AMT (17,03 - 1,00)
Manuel Transmission	ZF 16S 2530 (13,80 - 0,84)

Steering

Power Assisted Single Circuit

Chassis

Chassis thickness [mm]	7mm
Chassis Strength [MPa]	355 Mpa
Suspension (Rear/Front)	Parabolic Leaf Spring / Multileaf Spring Suspension
Axle	Single Reduction
Axle Ratio (Manual / Automated)	3,08 / 2,64
Tyres	315/80 R22,5
Wheel Rim	22,5 x 9 Steel

Braking System

Brakes (front/rear) (Ø.mm x mm. length)	430 x 45 - Disc Brake
Braking System	Dual Brake Circuit – Air Processing Unit with Integrated Oil Separator and Heater
Engine Brake Power	max. 320 kW (Engine Level)
Retarder Power [Optional]	max. 450 kW / continuous 160 kW

Electrical System

Battery	225 Ah
Alternator / Starter Motor	130 A / 6.5 kW

Tanks

Fuel Tank	350 L Aluminum
SCR	55 L



Sharing the load

Dimensions [mm]			
Front Overhang			1500
Wheelbase			4750
Overall Length			8705
Overall Cab Length			2305
Overall Vehicle Height			3120
Overall Vehicle Width (excluding Mirrors)			2540
Chassis Width			866
Useful Chassis Length			5990
Chassis Height-Front			285
Chassis Height-Rear			285
Ground Clearance-Front			356
Ground Clearance-Rear			352
Turning Radius			8400
Weights [kg]			
	1. Axle	2. Axle	Total
Technically Permissible Weights	7100	12600	19000
Kerb Weight	5010	2667	7677
Payload	2090	9933	11323

STANDARD EQUIPMENT

- Manual Air Conditioner
- Multimedia System with 9" Touch Screen & **Navigation** (Radio, Bluetooth, USB (A Type - C Type), Apple CarPlay, Android Auto, Remote Control)
- Cruise Control
- Disc Brake
- Engine Brake
- Electronic Brake System (EBS)
- Differential Lock
- Electrically Operated Windows
- Electrically Operated and Heated Side mirrors
- Electrically Operated Headlight Leveling
- Rake and Reach Adjustable Steering Column
- Heated and Air Suspended Driver Seat and Fixed Passenger Seat
- Lumbar Support
- Electronic Stability Control (ESP)
- Hill Launch Assist
- Immobilizer
- Home Safe Lights
- Approach Lights
- Spare Wheel
- Tachograph
- Medium Bumper
- Hydraulic Cab Tilt
- Front Fog Lamps
- Manual Sunroof
- DAB Radio*
- Advanced Driver-Assistance Systems (Cybersecurity Improvements, Rear View Camera, Moving-off Information System, Blind Spot Information System, Tire Pressure Monitoring System, Emergency Stop Signal, Alcohol Interlock Facilitation, Traffic Sign Recognition, Driver Alert System, Lane Keeping Alert, Pre-Collision Assist)

OPTIONAL EQUIPMENT

- Cold Pack (Includes Dry Type Heater, Wet Type Heater and 225 Ah Battery)
- Transmission Driven PTO Options & Interior Control Unit
- Engine Driven PTO (includes Power Take off Control Unit)
- Metallic Paint / Special Colors
- Lateral Protection
- Rain Sensor
- Front Towing Hooks
- 8T Front Axle Technical Capacity
- 4250 mm Wheelbase Option
- 5700 mm Wheelbase Option
- Less Spare Tire
- Technology Pack (Auto High-Beam Headlamps & Pre-Collision Assist with Pedestrian Detection) & Intelligent Adaptive Cruise Control with Stop&Go **)
- Twin PTO (high ratio) / Twin PTO (low ratio)**
- Retarder
- Led Headlamps



* DAB Radio can be standard or optional according to the market.
 **Only available with Automated Transmission.

This leaflet includes products designed for Ford vehicles. It provides information about the current technical specifications and the standard or optional accessories available as of the date it was issued. Features of standard and optional accessories of the vehicles may be changed from time to time. For this reason, please consult our Authorized Dealers to obtain updated and accurate information on the features of the vehicle you wish to buy. For the aforementioned reason, this leaflet does not constitute an assurance as to the specifications listed herein. The images used in this leaflet may be different from the vehicles on sale. The technical specifications provided herein are for standard vehicles. Selection of any optional accessories might cause differences from these specifications.