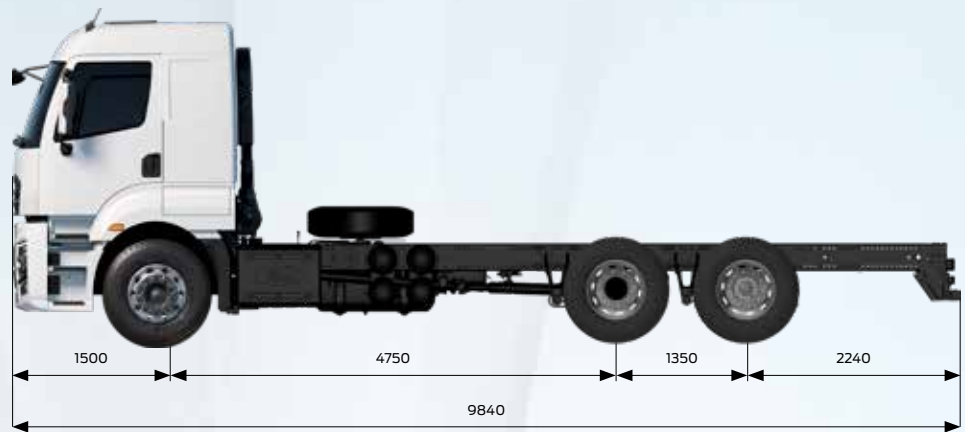


# FORD TRUCKS 2633 HR EURO6



## Basic Features

Vehicle Type	Road Truck
Axle	6x2
Emission	Euro 6
Cabin Type	High Roof Sleeper Cabin
Wheelbase (mm)	4750

## Engine

Type	Ecotorq 9 liters
Displacement (cc)	8974
Diameter x Stroke	115 mm x 144 mm
Power	330 PS (243 kW) @ 1655 - 2200 rpm
Torque	1400 Nm @ 1200-1650 rpm
Compression Ratio	17,6 : 1
Oil Filling Volume	30 L
Coolant Volume	46 L

## Transmission

Clutch	430mm Single Disc
Manual Transmission / Ratios (1. gear - 9 gear)	9+1 Speed (9,40 - 0,75)
Automated Transmission / Ratios (1.gear - 9 gear)	9+1 Speed (9,48 - 0,75)

## Steering

Power Assisted Single Circuit

## Chassis

Chassis Thickness	7 mm with Reinforcement
Chassis Strength	355 MPa
Suspension (Front/Rear)	Parabolic Leaf Spring / Air Suspension
Axle	Standard Single Reduction
Axle Ratio	4,375
Tyres (Front/Rear)	315/70 R 22,5
Wheel Rim	Steel Wheel (22,5 x 9)

## Braking System

Brakes (Front/Rear) (Ø.mm x mm. Length)	430 x 45 - Disc Brake
Braking System	Dual Brake Circuit – Air Processing Unit with Integrated Oil Separator and Heater
Engine Brake Power	max. 220 kW (Engine Level)

## Electrical System

Battery	225 Ah
Alternator / Starter Motor	130 A / 6,5 kW

## Tanks

Fuel Tank	480 L Aluminium
SCR Tank	55 L



Sharing the load

Dimensions (mm)	
Front Overhang	1500
Wheelbase	4750
Overall Length	9840
Distance Between 2 <sup>nd</sup> and 3 <sup>th</sup> Wheel Centers	1350
Overall Cab Length	2305
Overall Vehicle Height	3935
Overall Vehicle Width (Excluding Mirrors)	2540
Chassis Width	870
Rear Overhang	2240
Useful Chassis Length	7115
Chassis Height - Front	1039
Chassis Height - Rear	1055
Ground Clearance - Front	372
Ground Clearance - Rear	270
Turning Radius	10140

Weights (kg)	1. Axle	2. Axle	3. Axle	Total
Technically Permissible Weights	7500	11500	7500	26000
Kerb Weight	4808	1892	1265	7965
Payload	2692	9608	6235	18035
GVM (Legal)	7150	11500	7500	26000

### STANDARD EQUIPMENT

- Air Conditioner
- Multimedia System with 9" Touch Screen (Radio, Bluetooth, USB (A Type - C Type) , Apple CarPlay, Android Auto, Remote Control)
- Cruise Control
- Disc Brake
- Engine Brake
- Electronic Brake System (EBS) including Anti-lock Brake System (ABS)
- Electronic Stability Control (ESP)
- Electrically Operated Windows
- Electrically Operated and Heated Side Mirrors
- Electrically Operated Headlight Levelling
- Hill Launch Assist
- Spare Wheel
- Manually Operated Sunroof
- Heated and Air Suspended Driver Seat
- Lumbar Support
- Digital Tachograph
- Rake and Reach Adjustable Steering Column
- Front Fog Lamps
- Immobilizer
- Rear Air Suspension
- Home Safe Light
- Approach Light
- Brake Lining Wear Sensor
- Tag Axle Lifting (Auto Drop Function)
- Axle Load Indicator
- Differential Lock
- Auxiliary cabin heater (Dry type)
- DAB Radio\*
- Advanced Driver-Assistance Systems (Cybersecurity Improvements, Rear View Camera, Moving-off Information System, Blind Spot Information System, Tire Pressure Monitoring System, Emergency Stop Signal, Alcohol Interlock Facilitation, Traffic Sign Recognition, Driver Alert System, Lane Keeping Alert, Pre-Collision Assist )

### OPTIONAL EQUIPMENT

- Transmission Driven PTO & Interior Control Unit
- ADR
- Cold Climate Pack
- Auxiliary cabin heater (wet type)
- Power Cab Tilting
- Metallic Paint/Special Colors
- Day Cab & Low Roof Sleeper Cabin Options
- Modular Tachograph
- 5500 Wheelbase Option
- 315/60 & 315/80 Tyre Option
- 550 L Aluminium Fuel Tank with 55 L SCR Tank
- 8T Front Axle Technical Capacity (Available with 315/80 R22,5 Tyres)
- Rain Sensor
- Auto Light Sensor
- Automated Transmission
- Steerable Rear Axle
- Less Spare Tire
- Technology Pack (Auto High-Beam Headlamps & Pre-Collision Assist with Pedestrian Detection)
- Engine Driven PTO & Interior Control Unit
- Roof Spoiler
- Led Headlamps
- Navigation

\* DAB Radio can be standard or optional according to the market.

This leaflet includes products designed for Ford vehicles. It provides information about the current technical specifications and the standard or optional accessories available as of the date it was issued. Features of standard and optional accessories of the vehicles may be changed from time to time. For this reason, please consult our Authorized Dealers to obtain updated and accurate information on the features of the vehicle you wish to buy. For the aforementioned reason, this leaflet does not constitute an assurance as to the specifications listed herein. The images used in this leaflet may be different from the vehicles on sale. The technical specifications provided herein are for standard vehicles. Selection of any optional accessories might cause differences from these specifications.